

Inline Sediment Filters For Water Supply Solids Problems

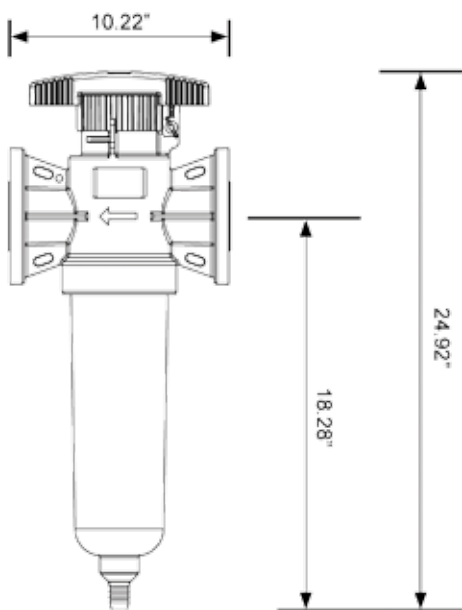
Easy to install and clean, TWISTIICLEAN High Flow (HF) inline sediment filters remove organics, sand and sediment from water systems.

Materials of Construction

Glass-filled polypropylene/acrylic body with EPDM seal at top of clear bowl, Viton seal at bottom of element filter, and stainless steel screen.

Dimensions

See table at right.



Flow Range:

1 to 150 US gpm
(0.2 to 27.3 m³/hr)

Inlet/Outlet:

2 inch flange connection compatible with ANSI, DIN, JIS patterns

Maximum Pressure:

100 psi
(6.9 bar)

Maximum Temperature:

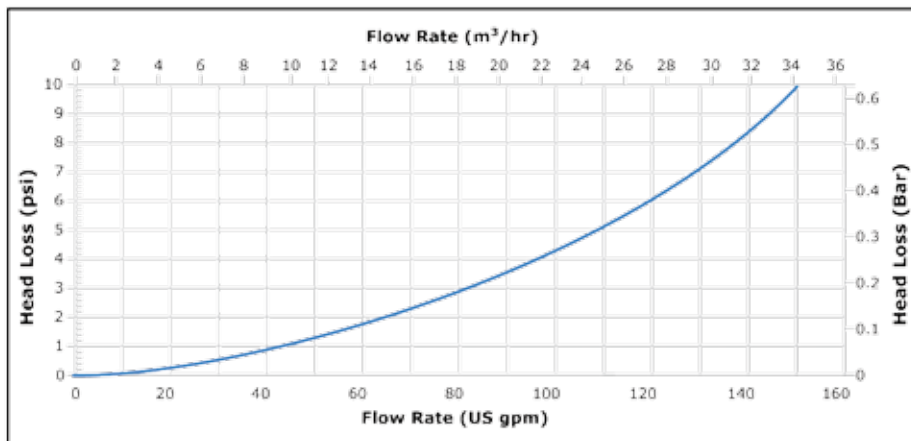
120° F (49° C)

Mesh Sizes:

- 60 Mesh (250 Micron) Element
- 100 Mesh (150 Micron) Element
- 140 Mesh (105 Micron) Element
- 200 Mesh (74 Micron) Element

Specifications

Clean Conditions



Flow*																
gpm	0	10	20	30	40	50	60	70	80	90	100	110	120	130	140	150
m ³ /hr	0.00	2.27	4.54	6.81	9.08	11.36	13.63	15.90	18.17	20.44	22.71	24.98	27.25	29.53	31.80	34.07
Head Loss																
psi	0.00	0.04	0.17	0.39	0.69	1.08	1.55	2.11	2.75	3.48	4.29	5.19	6.17	7.24	8.39	9.63
bar	0.000	0.003	0.012	0.027	0.048	0.075	0.107	0.146	0.190	0.240	0.296	0.358	0.426	0.500	0.579	0.664

*For lower flow rates, refer to TWISTIICLEAN LS-870.

Included Accessories

Sun Shield for Sunny Installations - Black neoprene woven cover for bowl prevents growth of algae and other organics in the bowl when unit is exposed to sunlight for long periods.



T2C-200
Model Pictured